

**CODE NUMBER**

20221201

**DESCRIPTION**

ST-2029 Water Closet and SOLIS 8111 Flushometer.

**COMPONENTS**

- Flushometer: Code 3370000
- Water Closet: Code 2102029

**DETAILS**

- Flush Volume: 1.6/1.1 gpf (6.0/4.2 Lpf)
- Nominal Dimensions: 26 ¾" x 14" x 17" (679 x 356 x 432mm)

**FLUSHOMETER FEATURES**

- Solar Powered. The sensor assembly is powered by a solar cell that will harvest power from the artificial indoor light (incandescent, fluorescent or LED), and use it as the energy source. The solar cell can provide approximately 100% power with 650 illuminance (lux).
- Four (4) Size AA Battery Back-up Power Source
- "Low Battery" Flashing LED
- If the user is present for less than one minute and leaves the sensing zone or chooses the small override button, a reduced flush initiates (1.1 gpf/4.2 Lpf) eliminating liquid and paper waste, saving 1/2 gallon of water
- If the user is present for greater than one minute and leaves the zone or chooses the large override button, the full flush initiates (1.6 gpf/ 6.0 Lpf) eliminating solid waste and paper
- Reduces water volume by up to 30% when a reduced flush occurs
- Flex Tube Diaphragm designed for improved life and reduced maintenance
- ADA Compliant Sloan SOLIS® Electronic Dual Flush Solar Powered Infrared Sensor for automatic "No Hands" operation
- Infrared Sensor with Multiple-focused, Lobular Sensing Fields for high and low target detection
- Engineered Metal Cover with replaceable Lens Window
- User friendly three (3) second Flush Delay
- Courtesy Flush® Override Button
- Sweat solder adapter with cover tube and cast wall flange with set screw
- Fixed Metering Bypass and No External Volume Adjustment to Ensure Water Conservation
- Handle Packing, Main Seat, Stop Seat and Vacuum Breaker Molded from PERMEX® Rubber Compound for Chloramine resistance
- 1" I.P.S. Screwdriver Bak-Chek® Angle Stop with Free Spinning Vandal Resistant Stop Cap
- PERMEX® Synthetic Rubber Diaphragm with Dual Filtered Fixed Bypass

**FIXTURE FEATURES**

- White Vitreous China
- Elongated bowl
- Floor mounted, floor outlet
- Siphon jet flushing action achieves 1000g Map score when used with any Sloan flushometer



**COMPLIANCES & CERTIFICATIONS**



(BREEAM Materials Credit, BREEAM Water Credit, Carbon Neutral, EPD, Green Globes Materials & Resources Credit, Green Globes Water Credit, HPD, LEED Materials & Resources EPD Credit, LEED Materials & Resources HPD Credit, LEED V4 Water Efficiency Credit, Satisfies LEED Credits, BAA Compliant)

**DOWNLOADS**

- [SS/ST/SU/WETS/WEUS Fixtures Repair and Maintenance Guide](#)
- [Additional Downloads](#)

**NOTES**

All information contained within this document subject to change without notice.

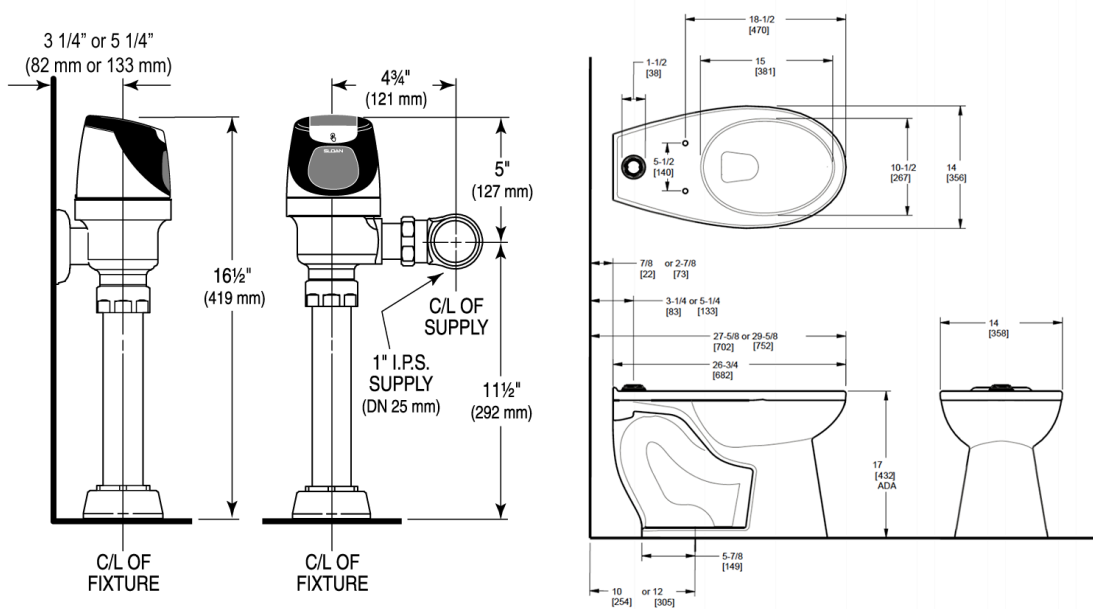
Static load tested according to the procedure outlined in Section 6.7 of ASME A112.19.2. Not recommended for bariatric use.

**Sloan 10500 Seymour Ave, Franklin Park, IL 60131**

Phone: 800.982.5839 • Fax: 800.447.8329 • [sloan.com](http://sloan.com)

- Water spot area: 10<sup>1</sup>/<sub>8</sub>" x 9<sup>3</sup>/<sub>8</sub>" (26 cm x 24 cm)
- 1<sup>1</sup>/<sub>2</sub>" I.P.S. top spud inlet
- 2<sup>1</sup>/<sub>8</sub>" fully glazed trapway
- Closet bolts and caps included
- Toilet seat not included
- Static load rating of 1000 lbs. (See Notes)

**ROUGH-IN**



Sloan 10500 Seymour Ave, Franklin Park, IL 60131

Phone: 800.982.5839 • Fax: 800.447.8329 • [sloan.com](http://sloan.com)